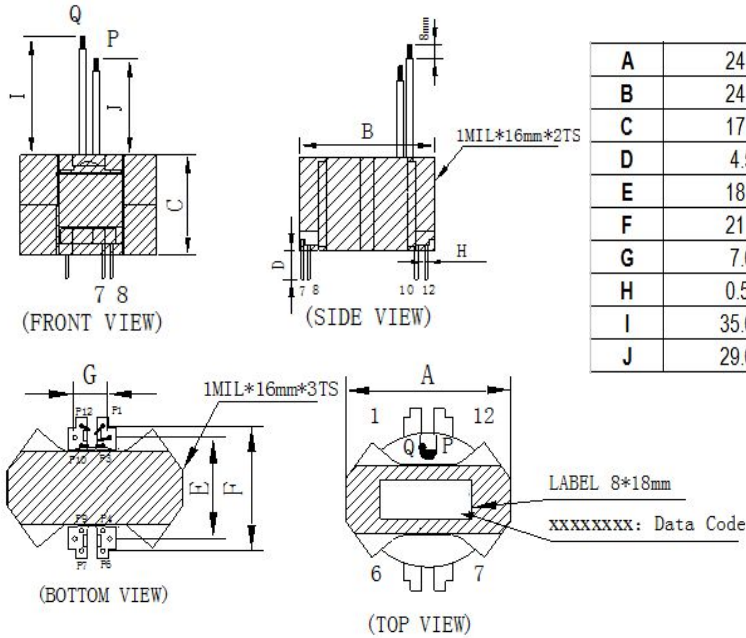


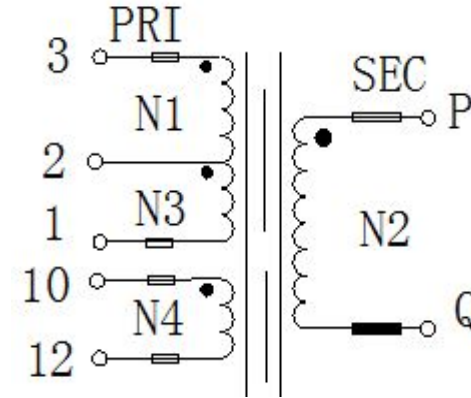
CUSTOMER TERMINAL	ROHS	Lead(Pb)-free
	YES	YES

## 1. Mechanical Dimensions



A	24.5	MAX
B	24.5	MAX
C	17.5	MAX
D	4.5	±0.5
E	18.0	±0.5
F	21.0	±0.5
G	7.0	±0.5
H	0.50	±0.1
I	35.00	±1
J	29.00	±1

## 2. Schematic Diagram



## 3. Material List

Core:FW44 RM8  
 Bobbin:FWB0804(6+6PIN)  
 Wire:2UEW TIW  
 Operating Temperature: -30 to115 °C

## 4. Electrical Specification

Inductance : L(1-3):1.7mH±5% 50KHZ , 1.0V  
 Leakage inductance: 55uH MAX 50KHZ , 1.0V  
 DCR : (10-12)=1.375Ω MAX (3-1)=3.575Ω MAX  
 Hi-Pot:P-S: AC 60Hz 4000V 1mA 3S  
 S-CORE:AC 60Hz 4000V 1mA 3S

REV.	DATE	<p>Convention Placement</p>	DRW.	Drawing Title: <b>TRANSFORMER</b>	Part No:
0	00/00		CHK.		FWPTRM8V172J
			APP.		Customer P/N
<b>ROHS</b>		<a href="http://www.ferriwo.com">www.ferriwo.com</a>			